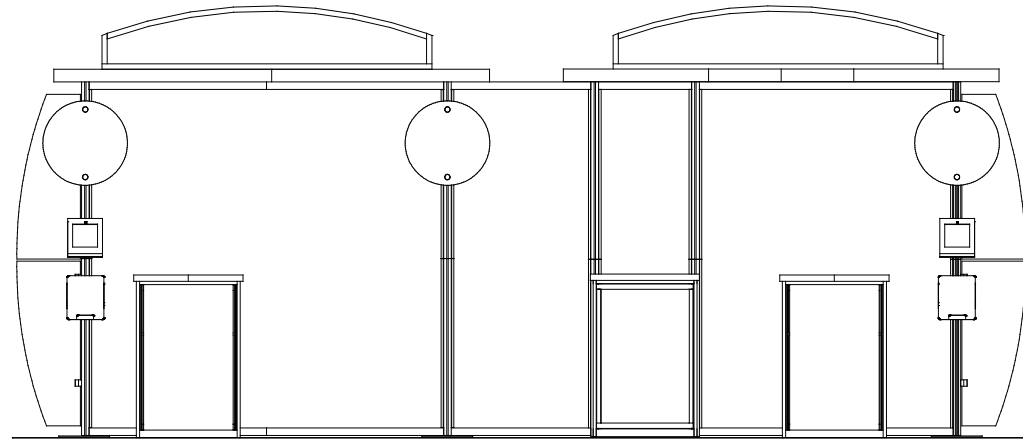
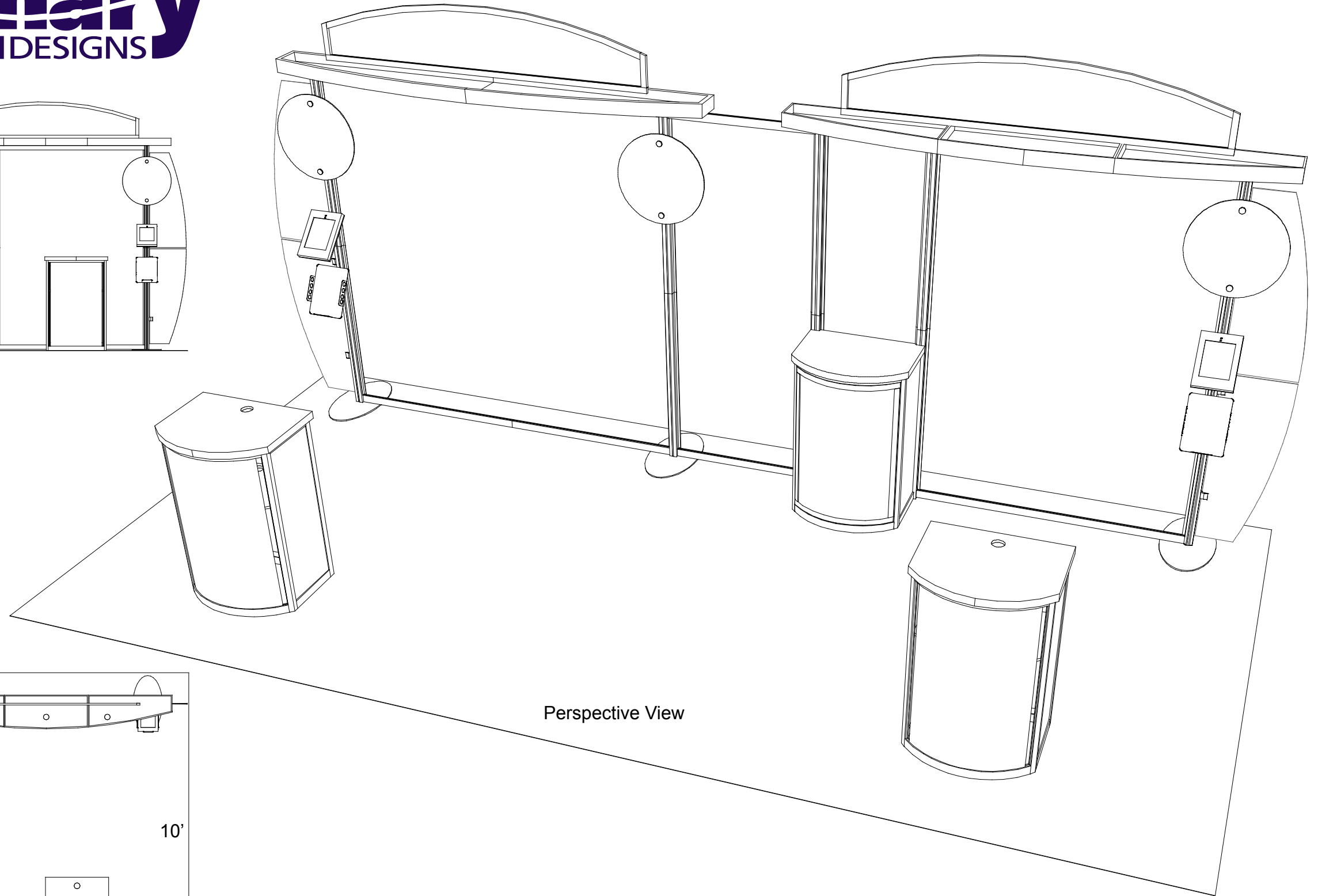


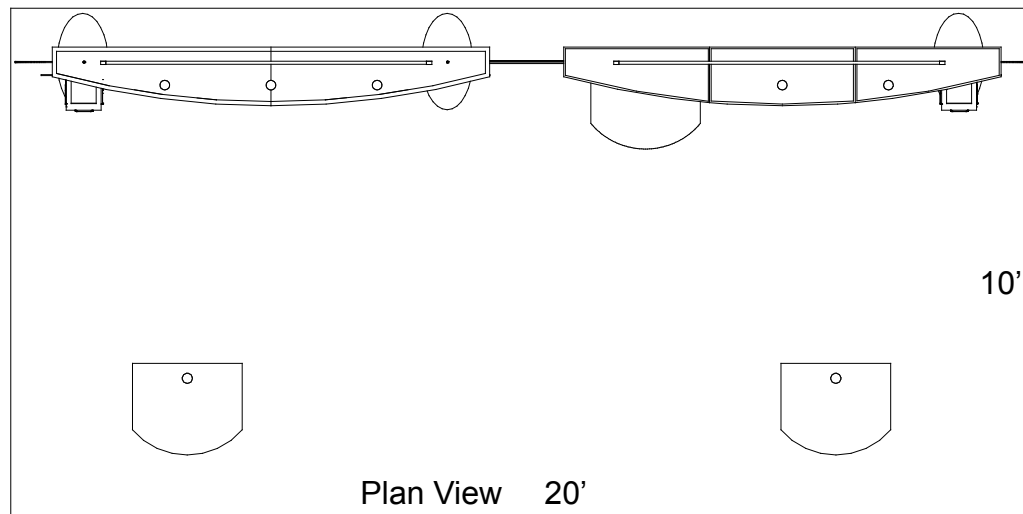
visionary[™]
DESIGNS



Elevation View



Perspective View



Plan View 20'

10'

WHEN DISASSEMBLING ALUMINUM EXTRUSION, TIGHTEN ALL SETSCREWS AND LOCKS TO PREVENT LOSS DURING SHIPPING

visionary™ DESIGNS

Using Your Setup Instructions

The Visionary Designs Setup Instructions are created specifically for your configuration. They are laid out sequentially, including an exploded view of the entire display, and then a logical series of detailed steps to assemble the main structure and components. We encourage you to study the instructions **before** attempting to assemble your exhibit.

Each page reminds you to tighten the setscrews after disassembling your exhibit to prevent loss of the locks and setscrews (see below in RED). This is **VERY IMPORTANT**.

Cleaning and Packing Your Display

- 1) Use care when cleaning aluminum extrusion or acrylic inserts. Use only non-abrasive cleaners.
- 2) When cleaning laminate inserts or countertops, use mild cleansers and a soft material such as cotton.
- 3) Keep all display components away from extreme heat and long exposure to sunlight to avoid warping and fading.
- 4) Retain all packing material. It will make re-packing much easier and will reduce the likelihood of shipping damage.



The Tool

Most Visionary Designs exhibits can be assembled with the supplied Hex Key Tool. Occasionally, a flat head screwdriver may be required.

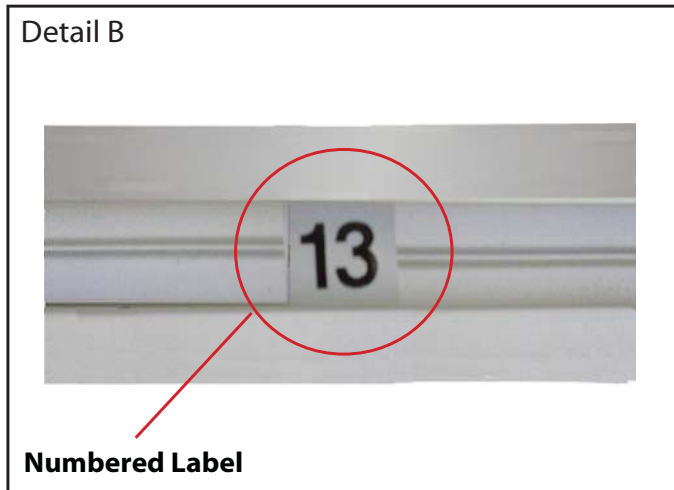


Typical Connection

Most horizontal extrusion connections have a patented expandable lock. This lock inserts into the groove of an opposing extrusion. Tightening the lock with the Hex Key Tool expands the lock and creates a strong positive connection.



Typical Connection (cont'd)



Detail B

Numbered Label

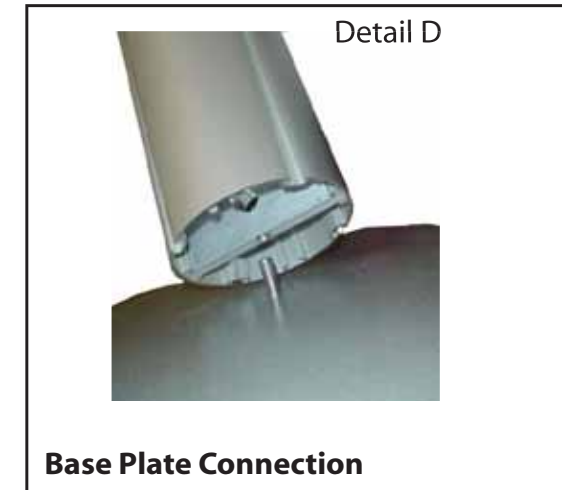
Each extrusion contains a numbered label which corresponds with setup instructions. The label is located within a groove of the extrusion (when possible). With Visionary Designs the labels contain Black numbers unless otherwise specified.



Detail C

Horizontal Inline Connection (remove only one setscrew)

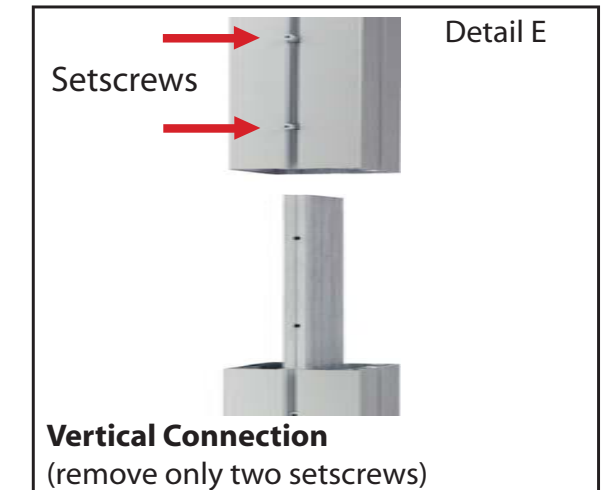
Remove only (1) setscrew when disassembling. Replace setscrew in extrusion after assembling it. Before packing, replace setscrew in extrusion to avoid losing it.



Detail D

Base Plate Connection

Attach base plate to round or square vertical extrusion using the bolt provided. Be careful not to strip the threads.



Detail E

Vertical Connection
(remove only two setscrews)

When vertical extrusions are packed in portable cases rather than crates or tubs, they must be broken down into smaller sections which then require assembly.

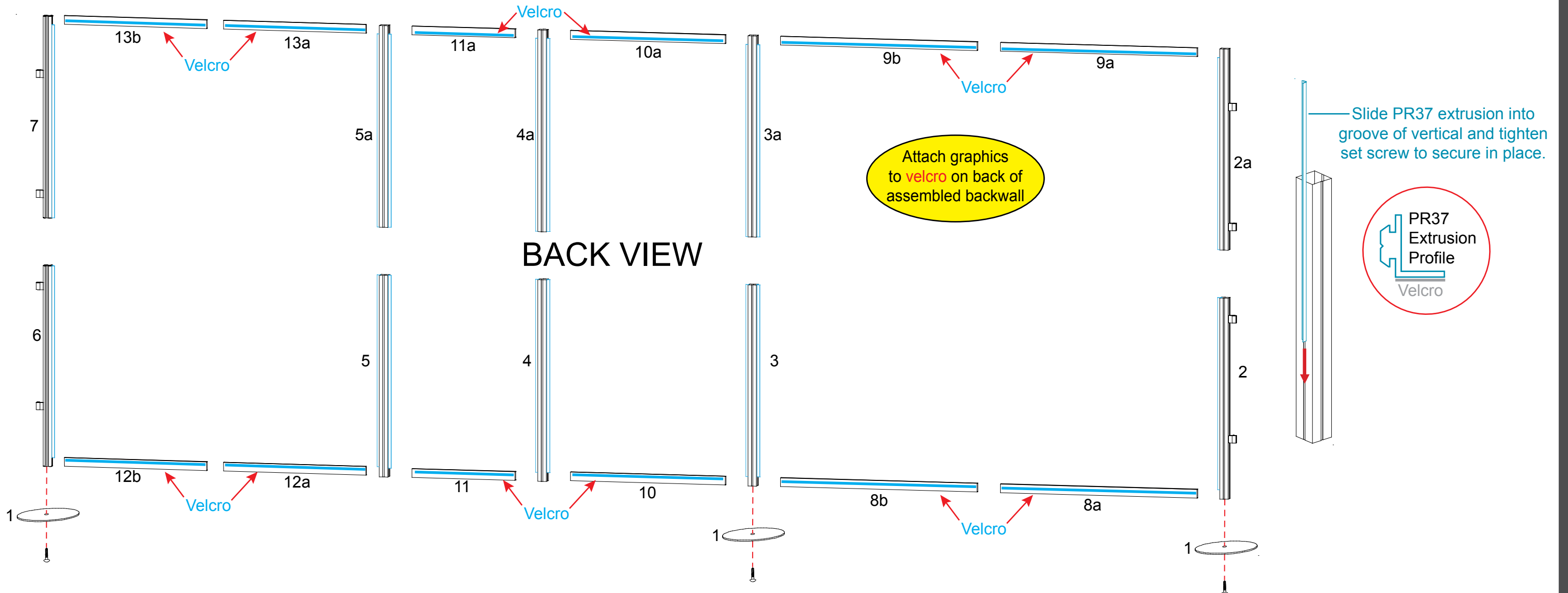
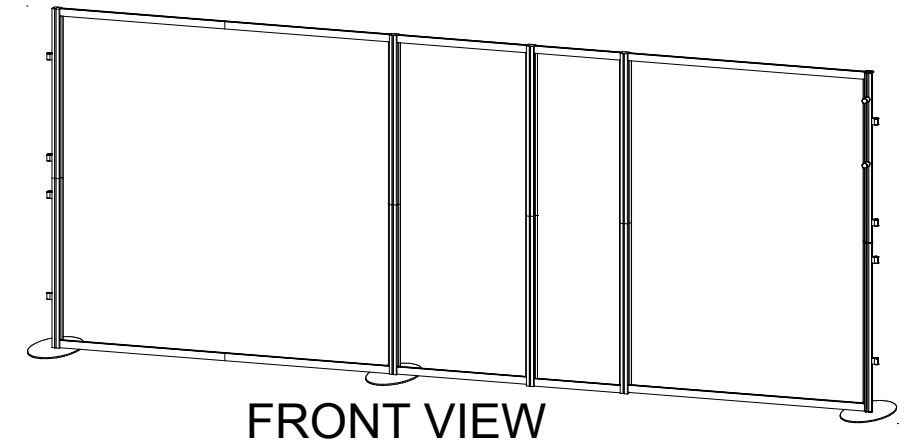
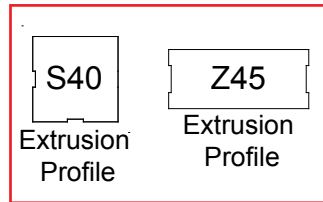
Remove only (2) setscrews when disassembling. Replace setscrews in extrusion after assembling it. Before packing, replace setscrews in extrusion to avoid losing them.

WHEN DISASSEMBLING ALUMINUM EXTRUSION, TIGHTEN ALL SETSCREWS AND LOCKS TO PREVENT LOSS DURING SHIPPING

Item	Qty	Description
1	3	Base Plate
2/2a	1/1	41.875" S40 Vertical Extrusion
3/3a	1/1	41.875" S40 Vertical Extrusion
4/4a	1/1	42" S40 Vertical Extrusion
5/5a	1/1	42" S40 Vertical Extrusion
6	1	41.75" S40 Vertical Extrusion
7	1	42" S40 Vertical Extrusion
8a/8b	1/1	41.906" Z45 Horizontal Extrusion
9a/9ba	1/1	41.906" Z45 Horizontal Extrusion
10/10a	1/1	36" Z45 Horizontal Extrusion
11/11a	1/1	22" Z45 Horizontal Extrusion
12a/12b	1/1	30" Z45 Horizontal Extrusion
13a/13b	1/1	30" Z45 Horizontal Extrusion

Steps:

- 1) Attach lower vertical extrusions [2,3,6] to base plates [1].
- 2) Attach upper vertical extrusions to lower vertical extrusions as shown.
- 3) Connect horizontal extrusions between vertical extrusions as shown.
- 4) Apply graphics to **velcro** on back of assembled backwall.

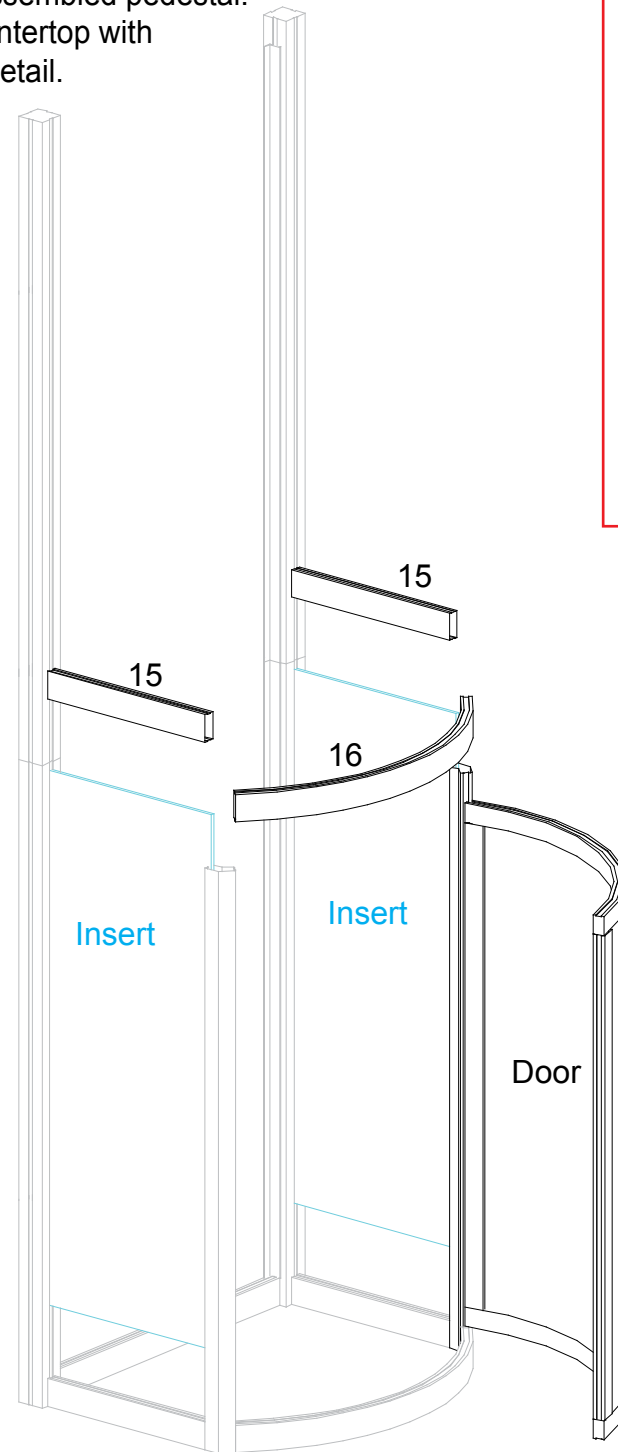
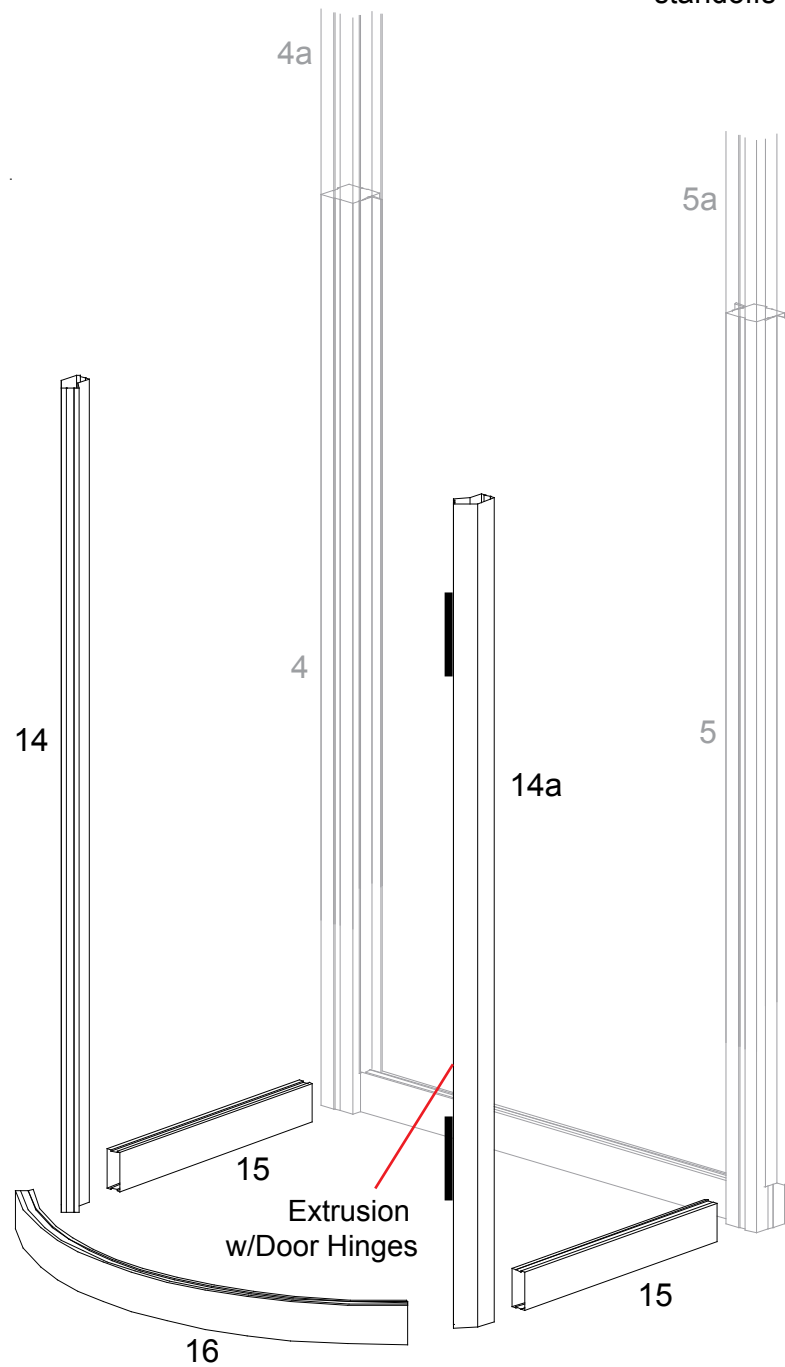


WHEN DISASSEMBLING ALUMINUM EXTRUSION, TIGHTEN ALL SETSCREWS AND LOCKS TO PREVENT LOSS DURING SHIPPING

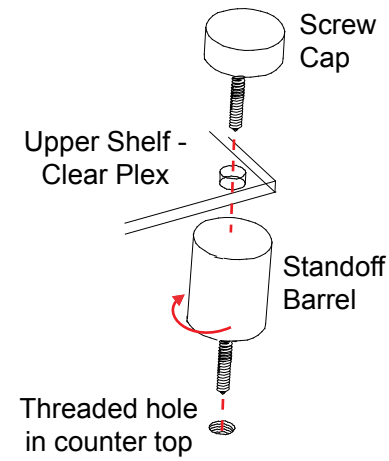
Item	Qty	Description
14/14a	1/1	38" Vertical Extrusion
15	4	12.5" Horizontal Extrusion
16	2	Curved Extrusion

Steps

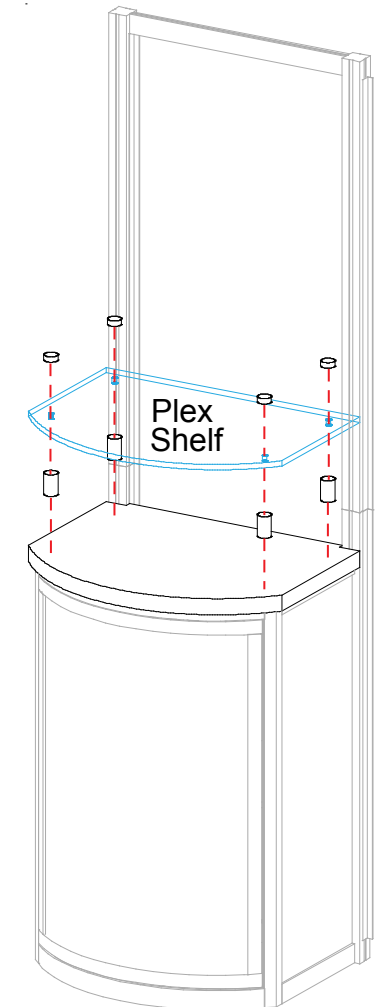
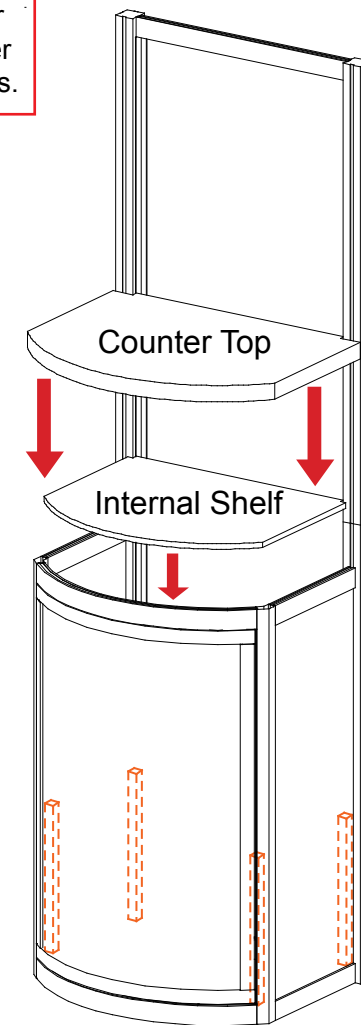
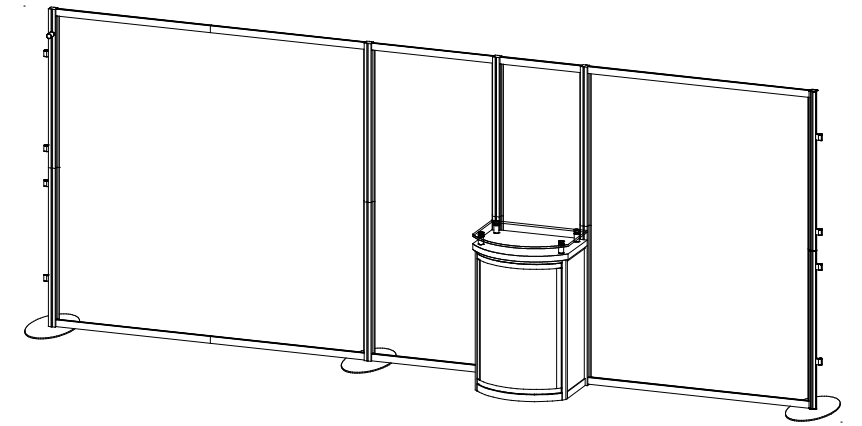
- 1) Attach horizontal extrusions [15] between vertical extrusions [4 & 14] and [5 & 14a] inserting infills as shown.
- 2) Attach door to hinges as shown in detail.
- 3) Velcro shelf support to inside of pedestal, then set internal shelf on top of supports.
- 4) Place counter top on assembled pedestal.
- 5) Attach plex shelf to countertop with standoffs as shown in detail.



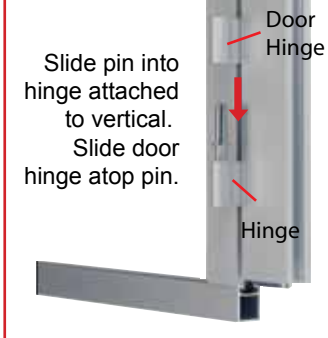
Plex Shelf to Counter Attachment



Attach standoff barrels to counter and secure in place. Secure upper shelf to standoffs using screw caps.



Door Attachment



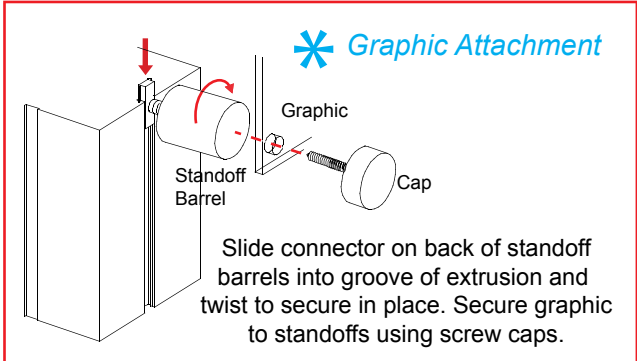
WHEN DISASSEMBLING ALUMINUM EXTRUSION, TIGHTEN ALL SETSCREWS AND LOCKS TO PREVENT LOSS DURING SHIPPING

866.652.2100

Item	Qty	Description
18a/18b	2/2	39" Vertical Extrusion
19a/19b	2/2	5.862" Horizontal Extrusion
20a/20b	2/2	38.5" Curved Extrusion

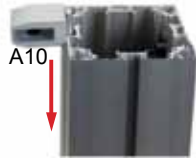
Steps

- 1) Connect canopy pieces together using bolts and wing nuts provided, see Example of Canopy Connection detail.
- 2) Connect header extrusions [18a,18b,19a,19b,20a,20b] together as shown.
- 3) Attach header & canopy to assembled backwall as shown in detail.
- 4) Attach wings using A10 clamps as shown.
- 5) Attach round graphic signs to backwall with standoffs as shown in detail.
- 6) Attach iPad clamshells to backwall as shown in detail.
- 7) Attach literature rack as shown in *Literature Rack Attachment* detail.



Wing Attachment

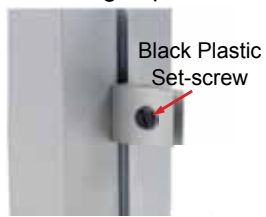
Slide A10 Clamp into groove of square extrusion.



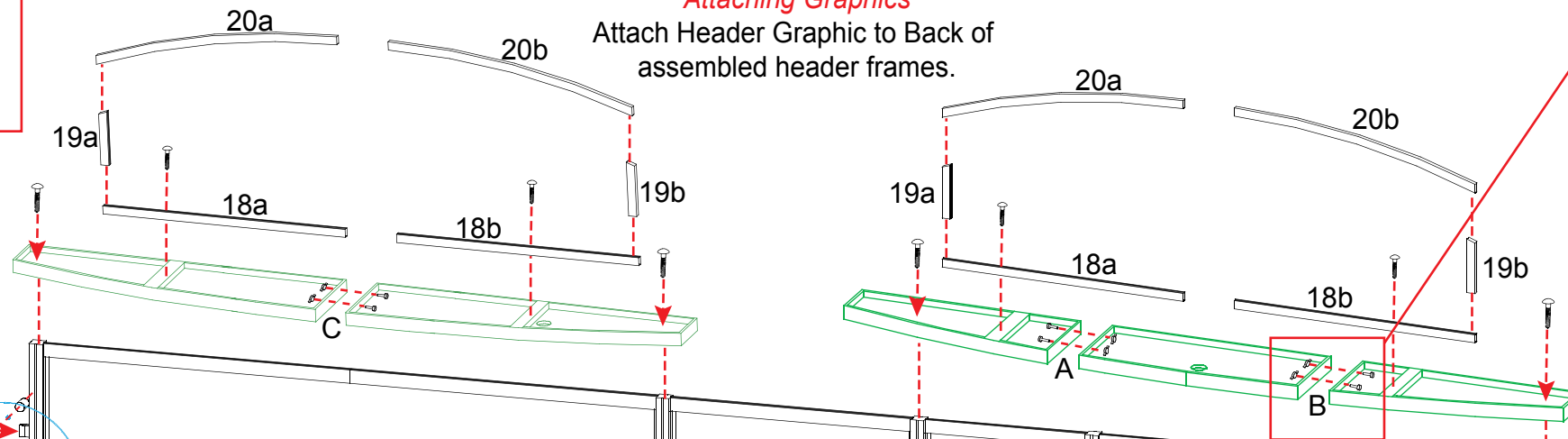
When desired location is found, tighten set screw to secure.



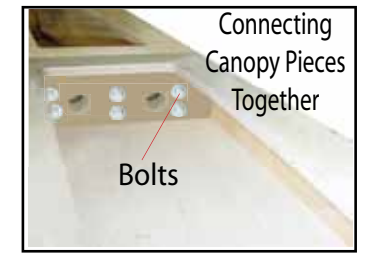
Tighten black plastic set screw to secure Wing in place.



Attaching Graphics
Attach Header Graphic to Back of assembled header frames.

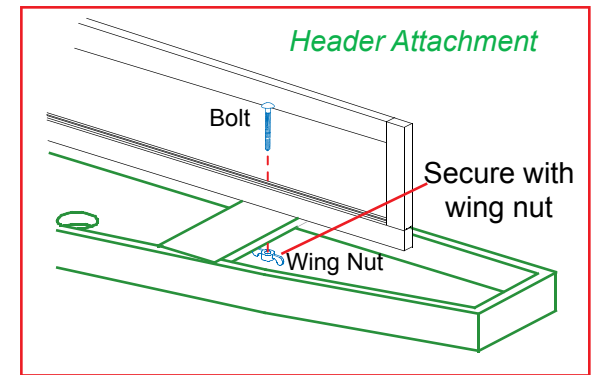


Example of Canopy Connection

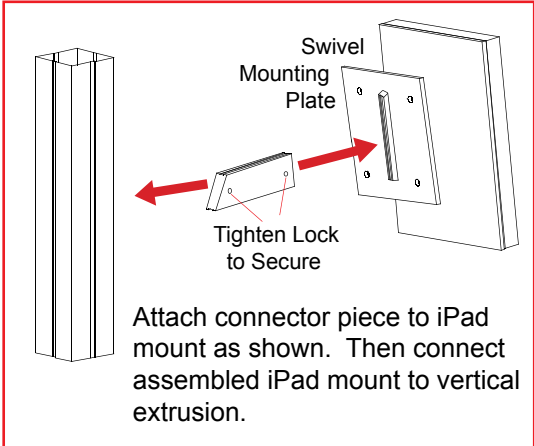


Connect 3 piece Canopy together by using bolts and wing nuts provided.

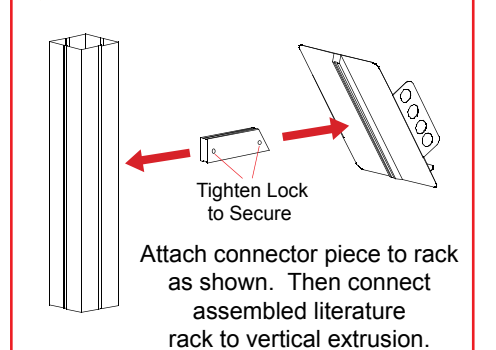
Header Attachment



iPad Mount Attachment



Literature Rack Attachment

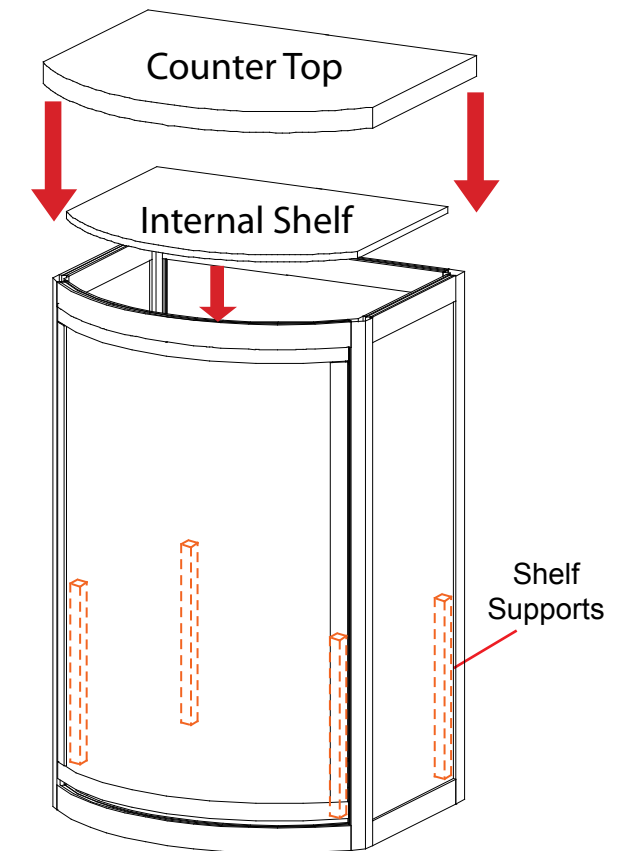
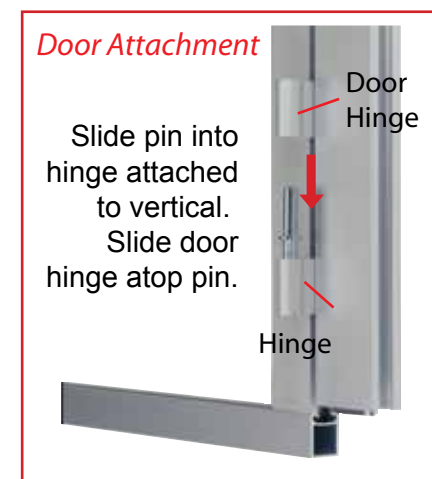
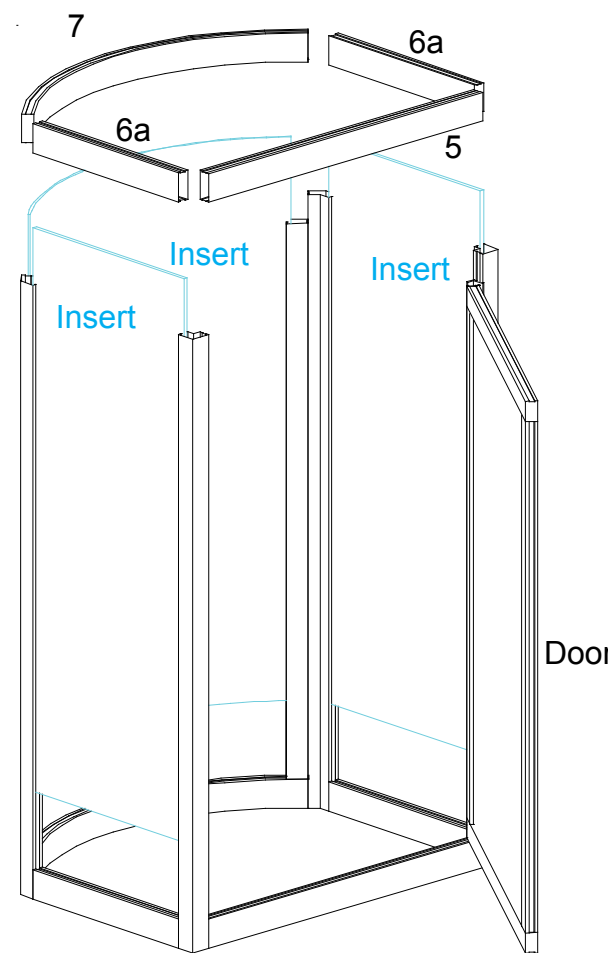
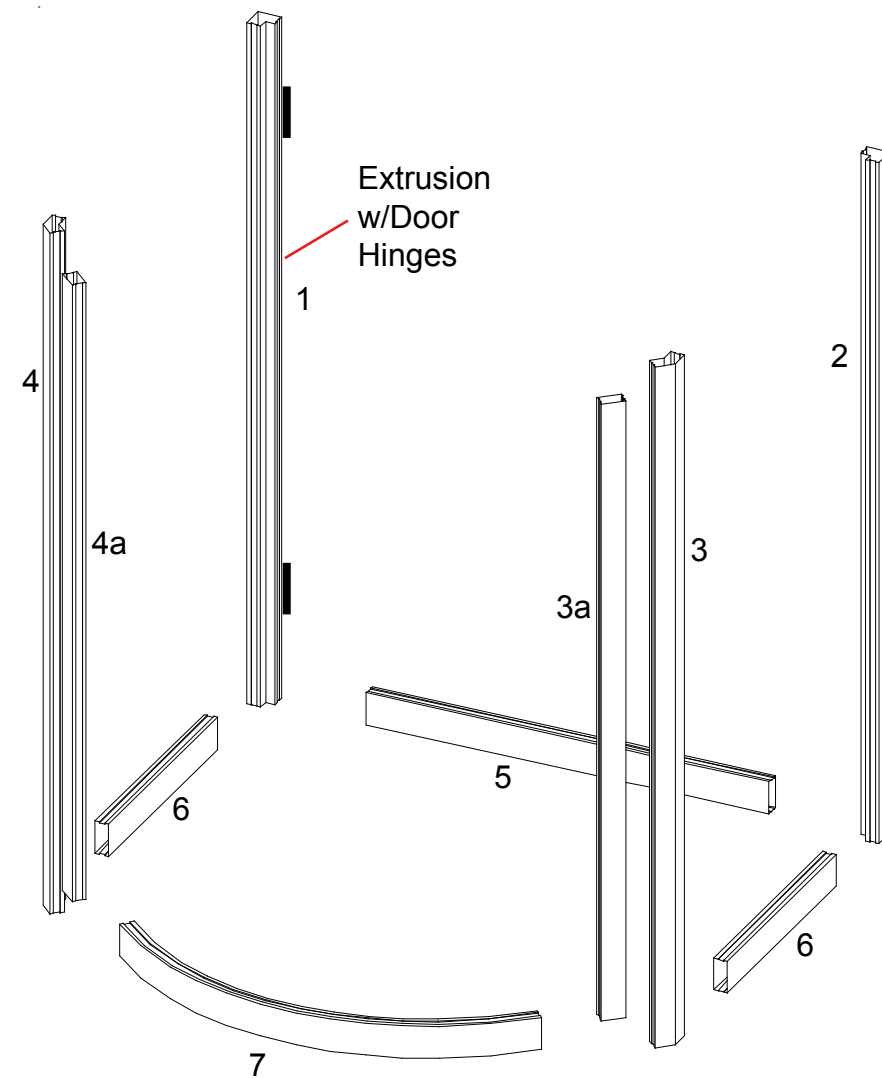
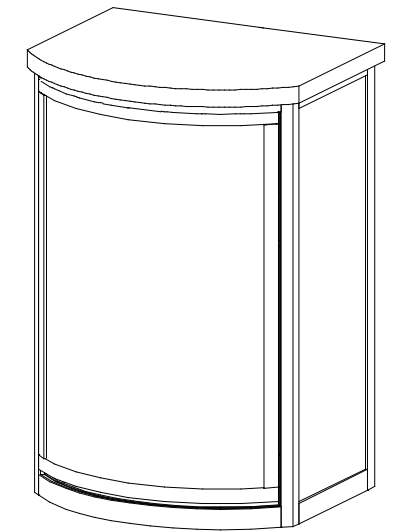


WHEN DISASSEMBLING ALUMINUM EXTRUSION, TIGHTEN ALL SETSCREWS AND LOCKS TO PREVENT LOSS DURING SHIPPING

Item	Qty.	Description
1	1	38" Vertical Extrusion w/ Door Hinges
2	1	38" Vertical Extrusion w/ Door Stop
3	1	38" Vertical Extrusion
4	1	38" Vertical Extrusion
5	2	22.0197" Horizontal Extrusion
6/6a	2/2	12.5" Horizontal Extrusion
7	2	25.639" Curved Extrusion

Steps

- 1) Attach lower horizontal extrusions [5,6,7] between vertical extrusions [1,2,3,4] as shown.
- 2) Hang assembled door on hinges on vertical [1] as shown. Refer to detail.
- 3) Place side and front inserts between verticals as shown.
- 4) Attach upper horizontal extrusions [5,6a,7] between vertical extrusions [1,2,3,4] and on top of infills as shown.
- 5) Velcro shelf support to inside of pedestal, then set internal shelf on top of supports.
- 6) Place counter top on assembled pedestal.



WHEN DISASSEMBLING ALUMINUM EXTRUSION, TIGHTEN ALL SETSCREWS AND LOCKS TO PREVENT LOSS DURING SHIPPING